



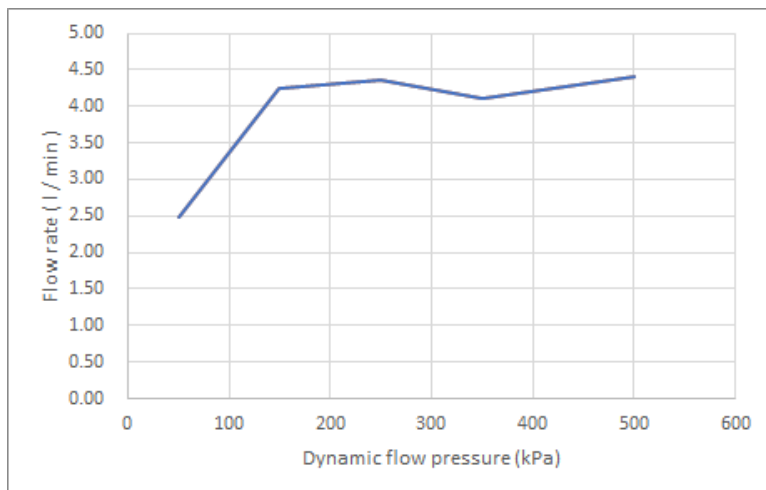
PROJECT		REF		REV	ITEM CODE	
LOCATION		DATE			PAGE	

SANITARY WARE SPECIFICATION SHEET

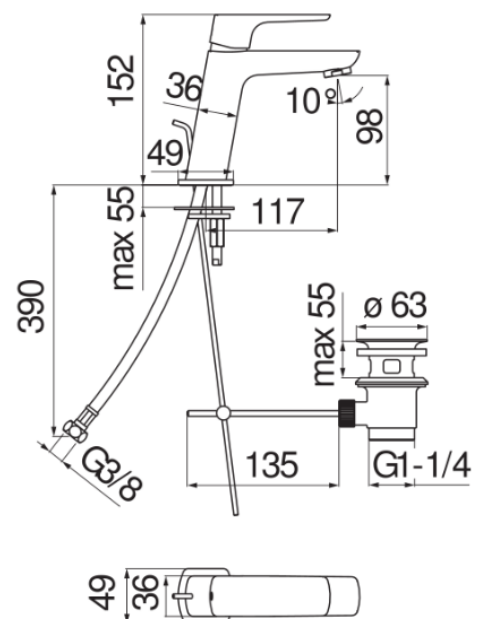
Item Descriptions	Nobili (Italy) "Acquaviva" Chrome plated single lever basin mixer with 32mm waste; "100% made in Italy"; nominated flow rate 5 L/min in WELS Grade 1 ; Registration No. TM 26-0004	Illustration/ Drawing
Standard	QAVR (Italy)	
Dimensions	L117 x W49 x H152 mm	
Model	VV103118/1ACMECR (Mixer) 40.2051.000 (Aerator)	
Finish	Chrome Plated	
Manufacturer	Nobili (Italy)	
Source	Acme Sanitary Ware Co. Ltd Mr. Eric Wong/ Mr. Wilson Hung	
Contact Tel/Fax E-mail Website	(852) 2388-7171 / (852) 2710-8012 acme@acmesanitary.com.hk www.acmesanitary.com.hk	

SPECIFICATIONS

- Single control
- Chrome
- Anti limescale aerator M 24 x 1
- 1 1/4" waste with patented SNAP system
- ø 3/8" stainless steel flexible pipe
- 50% two step cartridge for water saving



Dynamic flow pressure (kPa)	50	150	250	350	500
Flow rate (l/min)	2.49	4.25	4.36	4.11	4.40



* All information of the above is for the reference only. No prior notice is made if any changes.

註冊號碼 (Registration No.): TM 26-0004



自願參與用水效益標籤計劃 - 水龍頭
Voluntary Water Efficiency Labelling Scheme - Water Taps



茲證明


This is to certify that

Acme Sanitary Ware Company Limited

將下列水龍頭在本計劃內註冊：
has registered the following water tap under this scheme :

- | | | |
|--------------------------------|---|--|
| 牌子 / Brand | : | NOBILI + Neoperl |
| 型號 / Model | : | VV103118/1ACMEXX + 40.2051.000 |
| 種類 / Type | : | Mixing |
| 原產地 / Country or Region Origin | : | Italy (Mixer)
Germany (Flow Controller) |

XX – denotes the code of colour finish

在用水效益標籤上展示的標誌 <i>Symbolic Presentation on the Water Efficiency Label</i>	:	 滴水點 <i>Water droplet(s)</i>
用水效益級別 <i>Water Efficiency Grade</i>	:	1
耗水量 <i>Water Consumption</i>	:	5.0 公升/分鐘 <i>litres/minute</i>

簽發日期：
Date of Issue: 23 January 2026



Handwritten signature of the Director of Water Supplies.

水務署署長(陳國樑代行)
for Director of Water Supplies



水務署
Water Supplies Department

香港灣仔告士打道七號入境事務大樓
Immigration Tower, 7 Gloucester Road, Hong Kong.

電子郵件
e-mail wsdinfo@wsd.gov.hk

電
Tel
傳
真
Fax

圖文傳真
Facsimile 2824 0578



321/2025 T/J(656/2025)

30 September 2025

Acme Sanitary Ware Co. Ltd.
1/F, Acme Building,
22-28 Nanking Street,
Kowloon, Hong Kong

(Attn.: Mr Perry CHOW)

Dear Sir,



**Approval of "NOBILI" Basin Mixer
(General Acceptance No. ZC20250739)**

Your letter ref. L008/2025 dated 26 June 2025 and subsequent submissions received by this department up to 1 September 2025 refer.

Having considered the test report ref. J30434 issued on 13 June 2025 by Nutek Systems (HK) Ltd., this Authority accepts that the fitting described below complies with, and its use when correctly installed does not contravene, the Waterworks Ordinance and Regulations.

Name of Manufacturer: Carlo Nobili SpA Rubinetterie

Country of Origin: Italy

Brand: Nobili

Details of Fitting: 3/8" Single lever basin mixer

Model: VV103118/1ACMEXX
(where "XX" denotes the code of colour finish)

Body Markings: **NOBILI**

Expiry Date: 29 September 2030



This Authority hereby permits the use of the above fitting in fresh water plumbing systems subject to full adherence to Waterworks installation requirements. In particular, you are required to draw your customers' attention to the following requirement-

"The cold water supply to the fitting shall be drawn from the same source that supplies the hot water apparatus so as to provide a balanced pressure and to obviate the risk of scalding in the event of a restriction or failure in the water supply."

A condition of this acceptance is that the fitting to be installed shall be replicas of the sample as certified by the testing agent mentioned above and without modifications. This acceptance may be withdrawn at any time if the standard of the fitting installed fails to meet that of the approved sample or if the fitting is found to be unsuitable for use in fresh water plumbing systems.

This acceptance is only applicable to the main body of the fitting, unless otherwise specified.

For the use of the fitting in any project, the General Acceptance Number of this letter must be quoted as a means of identification of acceptance of the fitting by this Authority.

Should you have any enquiries, please contact our Engineer Mr Albert CHOW at tel. no. 3583 4086.

Yours faithfully,



(Terry KUNG)
for Director of Water Supplies

Encl.

c.c. WSD 3321/1/82] - without catalogue
 ME/MC] - with soft copy only